

阅读申明

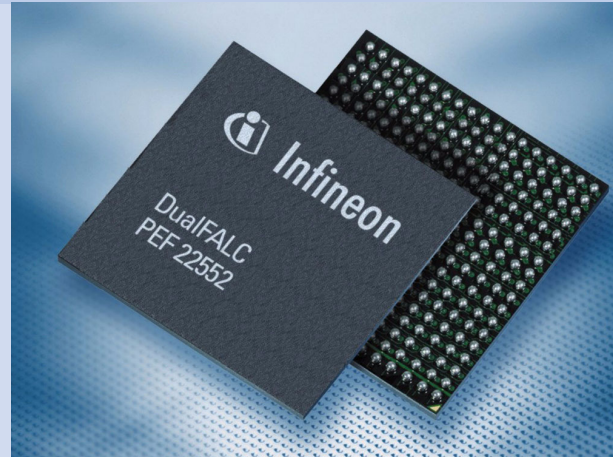
- 1.本站收集的数据手册和产品资料都来自互联网，版权归原作者所有。如读者和版权方有任何异议请及时告之，我们将妥善解决。
- 2.本站提供的中文数据手册是英文数据手册的中文翻译，其目的是协助用户阅读，该译文无法自动跟随原稿更新，同时也可能存在翻译上的不当。建议读者以英文原稿为参考以便获得更精准的信息。
- 3.本站提供的产品资料，来自厂商的技术支持或者使用者的心得体会等，其内容可能存在描述上的差异，建议读者做出适当判断。
- 4.如需与我们联系，请发邮件到marketing@iczoom.com，主题请标有“数据手册”字样。

Read Statement

1. The datasheets and other product information on the site are all from network reference or other public materials, and the copyright belongs to the original author and original published source. If readers and copyright owners have any objections, please contact us and we will deal with it in a timely manner.
2. The Chinese datasheets provided on the website is a Chinese translation of the English datasheets. Its purpose is for reader's learning exchange only and do not involve commercial purposes. The translation cannot be automatically updated with the original manuscript, and there may also be improper translations. Readers are advised to use the English manuscript as a reference for more accurate information.
3. All product information provided on the website refer to solutions from manufacturers' technical support or users the contents may have differences in description, and readers are advised to take the original article as the standard.
4. If you have any questions, please contact us at marketing@iczoom.com and mark the subject with "Datasheets" .

DualFALC™

Two-channel E1/T1/J1 Framer and Line Interface Component
PEF 22552



The DualFALC™ is an addition to Infineon's market leading FALC® family of advanced E1/T1/J1 Framer And Line Interface Unit (LIU) components. As a two port E1/T1/J1 framer and line interface unit (LIU), DualFALC is optimized for a range of network equipment including Radio network Controllers, Node B line cards, PBX or SDH/SONET ADMs.

The DualFALC features a unique clock generation unit that accepts any reference clock between 1.02 and 20MHz as well as integrated analog switches for impedance matching or protection switching. Using industry leading DualFALC Evaluation support tools, system developers can shorten design cycles while creating a wide range of highly flexible, low BOM E1/T1/J1 line cards.

Applications

- Wireless base stations
- Router
- Multi-service access platforms,
- Digital loop carriers
- Remote access servers/concentrators
- SONET/SDH Add/Drop multiplexers

Analog Line Interfaces

- Two independent E1/T1/J1 long haul/short haul line interface units
- Software programmable T1/E1/J1
- Integrated analog switches for impedance matching (E1-75/120, T1-100, J1-110) and protection switching
- Crystal-less wander and jitter attenuation/compensation according to TR 62411 and ETS-TBR 12/13
- Clock generation unit accepts any frequency reference clock from 1.02 MHz to 20 MHz
- Programmable transmit pulse shape for flexible pulse generation
- Receiver sensitivity exceeds -36 dB@772kHz and -43 dB@1024kHz
- Clock signal generation & extraction according to ITU-T G.703 Sec. 13
- Integrated transmit line impedance matching

Frame Aligners

- ITU-T G.704 frame alignment/synthesis for 2.048/1.544 Mbit/s

- Programmable frame formats
 - E1: Double- & CRC Multi-frame
 - T1: F4, F12 (D4), Ext. Super Frame (ESF), F72 (SLC96)
- Detects and generates LOS, AIS and RAI alarms
- CRC-4 performance monitoring
- PRBS generation and monitoring
- Detects & generates LOS, AIS & RAI alarms
- System bus data rate scalable from 1.544 Mbit/s up to 16 Mb/s
- Synchronization Supply Message (SSM) generation and extraction

HDLC Controllers

- 6 HDLC controllers (three per channel) including 128-byte deep FIFO buffers each
- CAS controller with micro-processor or system interface serial access
- Supports signaling system #7
- ANSI T1.403 Bit-Oriented Messages (BOM), generates periodical performance reports

General Features

- Software compatible to Infineon's QuadFALC and OctalFALC
- Intel® or Motorola® type 8/16-bit microprocessor interface
- Serial SPI bus and serial SCI bus slave interfaces
- Low power operation (150mW / channel typical)
- Dual voltage 1.8 V/3.3 V or single voltage 3.3V power supply
- PG-LBGA-160, 15x15mm with 1.0mm ball pitch
- -40degC to +85degC operation
- Rohs compliant package

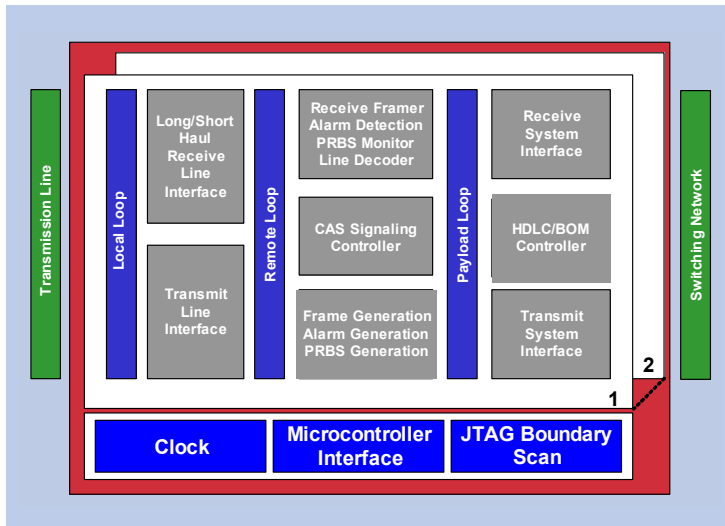
www.infineon.com/falc

Communications

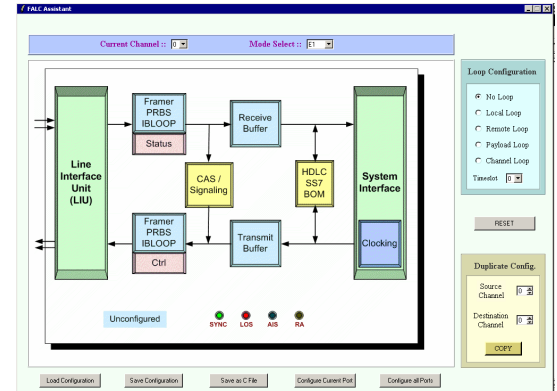


Never stop thinking.

DualFALC PEF 22552 Block Diagram

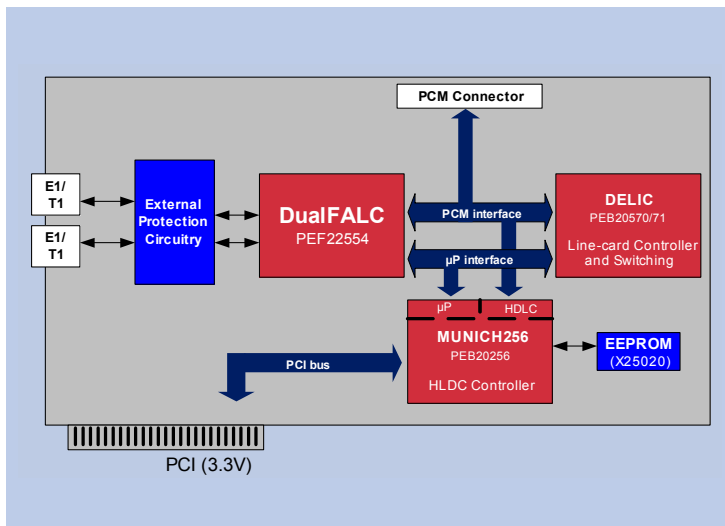


Configuration Assistant Tool



The FALC Configuration Assistant supports the user during design phase. All DualFALC functional blocks can be configured by a GUI supporting the low level API driver.

System Application - VoIP Primary Access Board



Documentation and Support Package

- Data Sheet
- Application Notes
- Hardware Evaluation System EASY 22552 with Schematics and Layout information
- WinEASY Software for MS Windows
- 98SE/NT/2000/XP CD-ROM Support Package
- Support Software (portable low level API driver)
- Configuration Assistant for rapid porting of device configuration to customer designs.
- Analog front end calculator
- Flexible master clocking calculator

Product Summary

Type	Description	Package
PEF 22552E	DualFALC	PG-LBGA-160

How to reach us:

<http://www.infineon.com>

Published by
Infineon Technologies AG
St.-Martin-Strasse 53
81669 München

© Infineon Technologies AG 2004.
All Rights Reserved.

Template: pb_tmplt.fm/4

Attention please!

The information herein is given to describe certain components and shall not be considered as a guarantee of characteristics. Terms of delivery and rights to technical change reserved.

We hereby disclaim any and all warranties, including but not limited to warranties of non-infringement, regarding circuits, descriptions and charts stated herein.

Information

For further information on technology, delivery terms and conditions and prices please contact your nearest Infineon Technologies Office.

Warnings

Due to technical requirements components may contain dangerous substances. For information on the types in question please contact your nearest Infineon Technologies Office.

Infineon Technologies Components may only be used in life-support devices or systems with the express written approval of Infineon Technologies, if a failure of such components can reasonably be expected to cause the failure of that life-support device or system, or to affect the safety or effectiveness of that device or system. Life support devices or systems are intended to be implanted in the human body, or to support and/or maintain and sustain and/or protect human life. If they fail, it is reasonable to assume that the health of the user or other persons may be endangered.

Ordering No. B000-H0000-X-X-7600
Printed in Germany
PS 0905. KS